

## Order Information concerning Spare Parts List

When placing orders for Spare Parts, please give only the order numbers listed in the spare parts list.

The order number can refer to 1 piece or 1 repair set, (multiple quantity).

The minimum order quantity for each order number must correspond with the packed quantity or multiples of the packing quantity.

Examples:

1. An customer orders 10 pieces

Quantity delivered 1 package with 10 pieces V04711

Price charged 10 \* V04711 at 0,90 EUR each, total price = 9,00 EUR

(minimum price)

2. A customer orders 3 pieces

When booking the order in the EDP, the order quantity is automatically increased to 10 pieces.

Order quantity and price charged, see para. 1.

3. A customer orders 16 pieces

When booking the order, the order quantity is automatically increased to the next higher packing quantity - 20 pieces.

Quantity delivered 2 packages with 10 \* V04711 each

Price charged 20 \* V04711 at 0,90 EUR each, total price = 18,-- EUR

A repair-exchange (RE) is normally only carried out, if a repairable part has been returned by the customer. At customer's request Dräger however, Dräger will charge the list price for the new part if customer's old part is not received within a period of 3 calendar weeks.

Information concerning the handling of spare parts sets in case of repair:

For technical reasons, it is always necessary to exchange complete sets. Only in this way, the correct functioning of the repaired device can be ensured.

Internal: Spare parts list for technician



Subject to change without

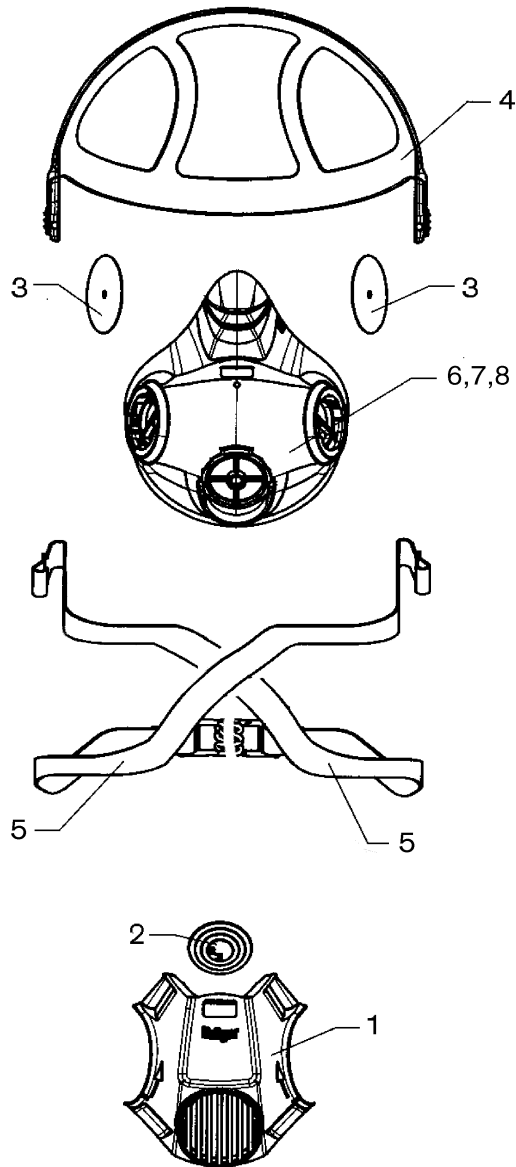
Spare Part List  
Half-Mask X-plore 3500

Edition date  
07.06.2006

Spare Part List  
1473.00

R55350, R55351, R55352

Page: 2  
Image: 1



Internal: Spare parts list for technician



Subject to change without

Spare Part List  
Half-Mask X-plore 3500

Edition date  
07.06.2006

Spare Part List  
1473.00

R55350, R55351, R55352

Page: 3  
Image: 1

POSITION	DESIGNATION	PART- NUMMER	ORDER CODE	PACK. QTY.
1-6	Half Mask X-plore 3500 medium, reuseable		R55350	
1-5,7	Half Mask X-plore 3500 small, reuseable		R55351	
1-5,8	Half Mask X-Plore 3500 large, reuseable		R55352	
1	YOKE		R55228	
2	EXHALATION VALVE DISC		R52541	5
3	INHALATION VALVE DISC		R53309	10
4	head strap, complete		R55224	
5	FABRIC RIBBON WITH HOOK		R55218	
6	half mask body M, X-plore 3500	R55226		
7	half mask body S, X-plore 3500	R55225		
8	half mask body L, X-plore 3500	R55227		